

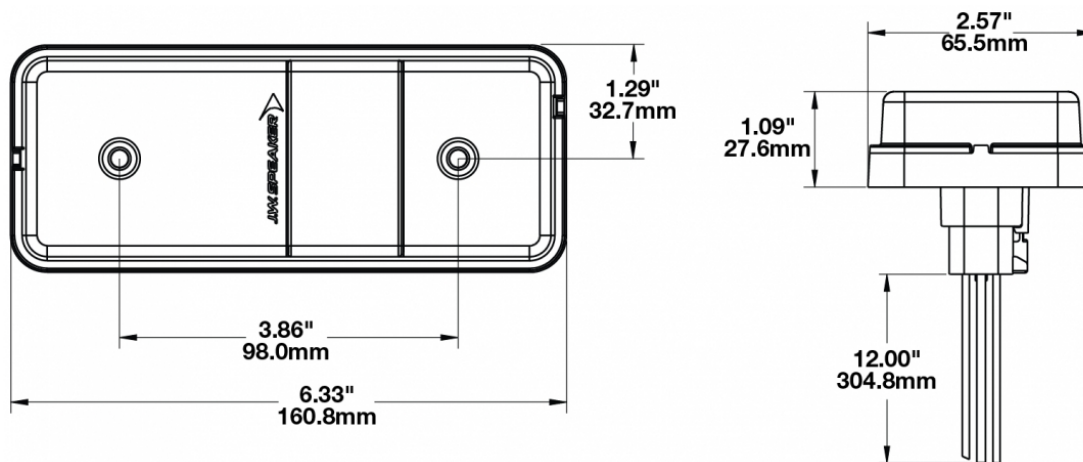
LED Signal Lights - Model 220

PRODUCT INFORMATION

Description	12-24V ECE LED Stop, Tail & Turn Signal Light
Height	160.78 mm / 6.33 in
Width	66.04 mm / 2.6 in
Depth	27.94 mm / 1.1 in
Shape	Rectangle
Outer Lens Material	Polycarbonate
Outer Lens Color	Clear
Housing Material	Polycarbonate
Housing Color	Black
Mounting Type	Panel Mount
Minimum Operating Temperature	-40 °C / -40 °F
Maximum Operating Temperature	65 °C / 149 °F
Connector or Wiring	Integral DT04-6P
Mating Connector	DT06-6S
Product Weight	0.40 lbs / 0.18 kgs
Shipping Weight	2.40 lbs / 1.09 kgs
Additional Information	Includes an ECE Reg 3 Class 1 Reflex.



PRODUCT DIMENSIONS



Print date: 2024-08-11

© 2024 J.W. Speaker Corporation • Germantown, WI U.S.A.
www.jwspeaker.com • speaker@jwspeaker.com • 262.251.6660

J.W. SPEAKER
Engineered. Lighting. Solutions.

LED Signal Lights - Model 220

ELECTRICAL SPECIFICATIONS

Input Voltage	12-24V DC
Operating Voltage	6-32V DC
Transient Spike Protection	150V Peak @ 1 HZ-100 Pulses
Black Wire	Ground
White Wire	Reverse
Red Wire	Stop
Brown Wire	Tail
Yellow Wire	Turn
Current Draw	0.16A @ 12V DC (Stop) 0.10A @ 24V DC (Stop) 0.02A @ 12V DC (Tail) 0.01A @ 24V DC (Tail) 1.42A @ 12V DC (Turn) 0.71A @ 24V DC (Turn) 0.14A @ 12V DC (Backup) 0.07A @ 24V DC (Backup)

REGULATORY STANDARDS COMPLIANCE



Buy America Standards	ECE Reg 23
ECE Reg 3	ECE Reg 6
ECE Reg 7	Eco Friendly
IEC IP67	

PHOTOMETRIC SPECIFICATIONS

Beam Pattern(s)	Signalization - Stop Signalization - Tail Signalization - Turn (Rear)
------------------------	---

Print date: 2024-08-11

© 2024 J.W. Speaker Corporation • Germantown, WI U.S.A.
www.jwspeaker.com • speaker@jwspeaker.com • 262.251.6660

J.W. SPEAKER
Engineered. Lighting. Solutions.

LED Signal Lights - Model 220

APPLICATIONS



PRODUCT WARNINGS

For California residents:

⚠ WARNING: Cancer and reproductive harm - www.P65Warnings.ca.gov.

⚠ AVERTISSEMENT: Cancer et effet nocif sur la reproduction - www.P65Warnings.ca.gov.

Print date: 2024-08-11

© 2024 J.W. Speaker Corporation • Germantown, WI U.S.A.
www.jwspeaker.com • speaker@jwspeaker.com • 262.251.6660